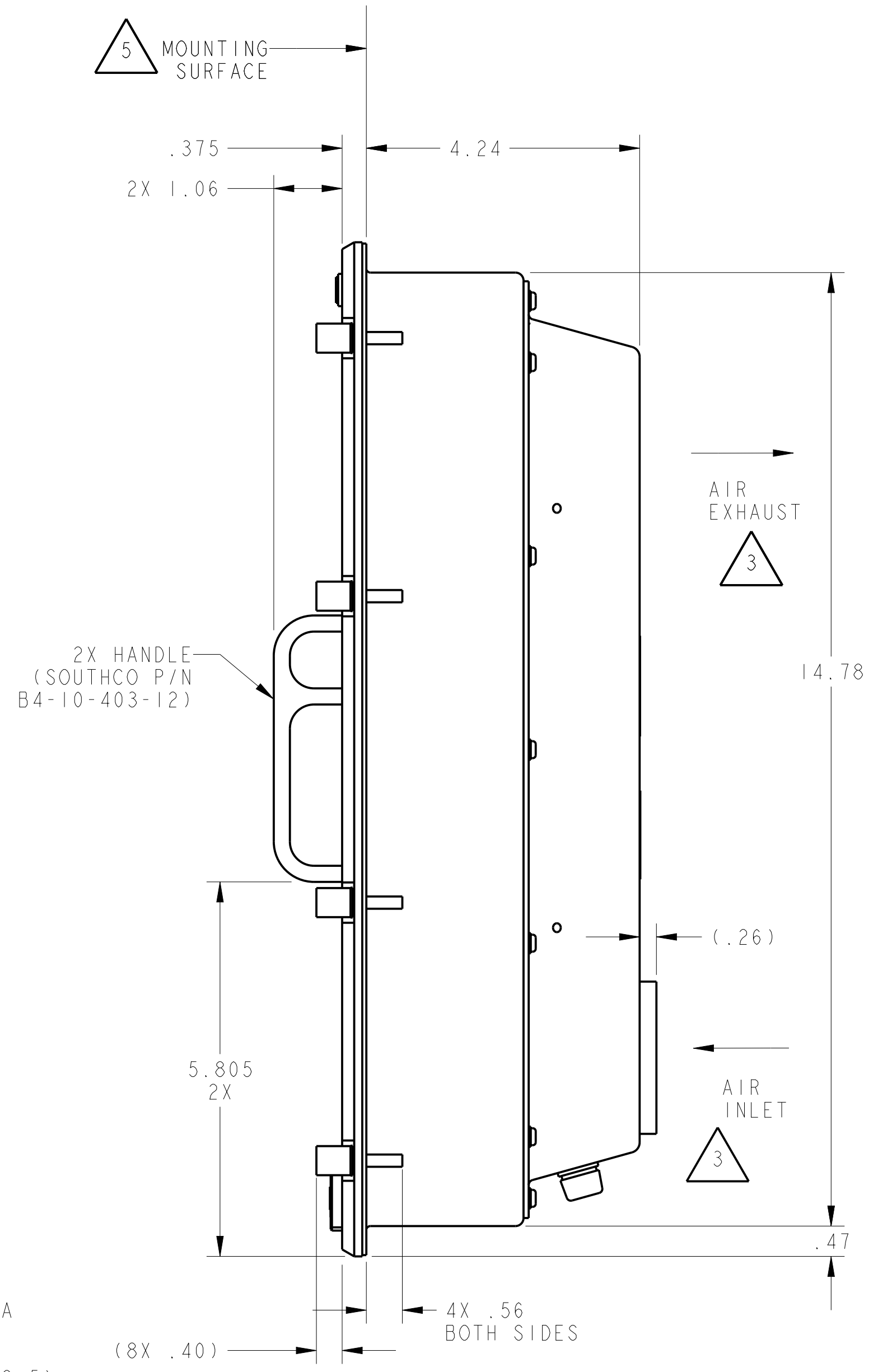
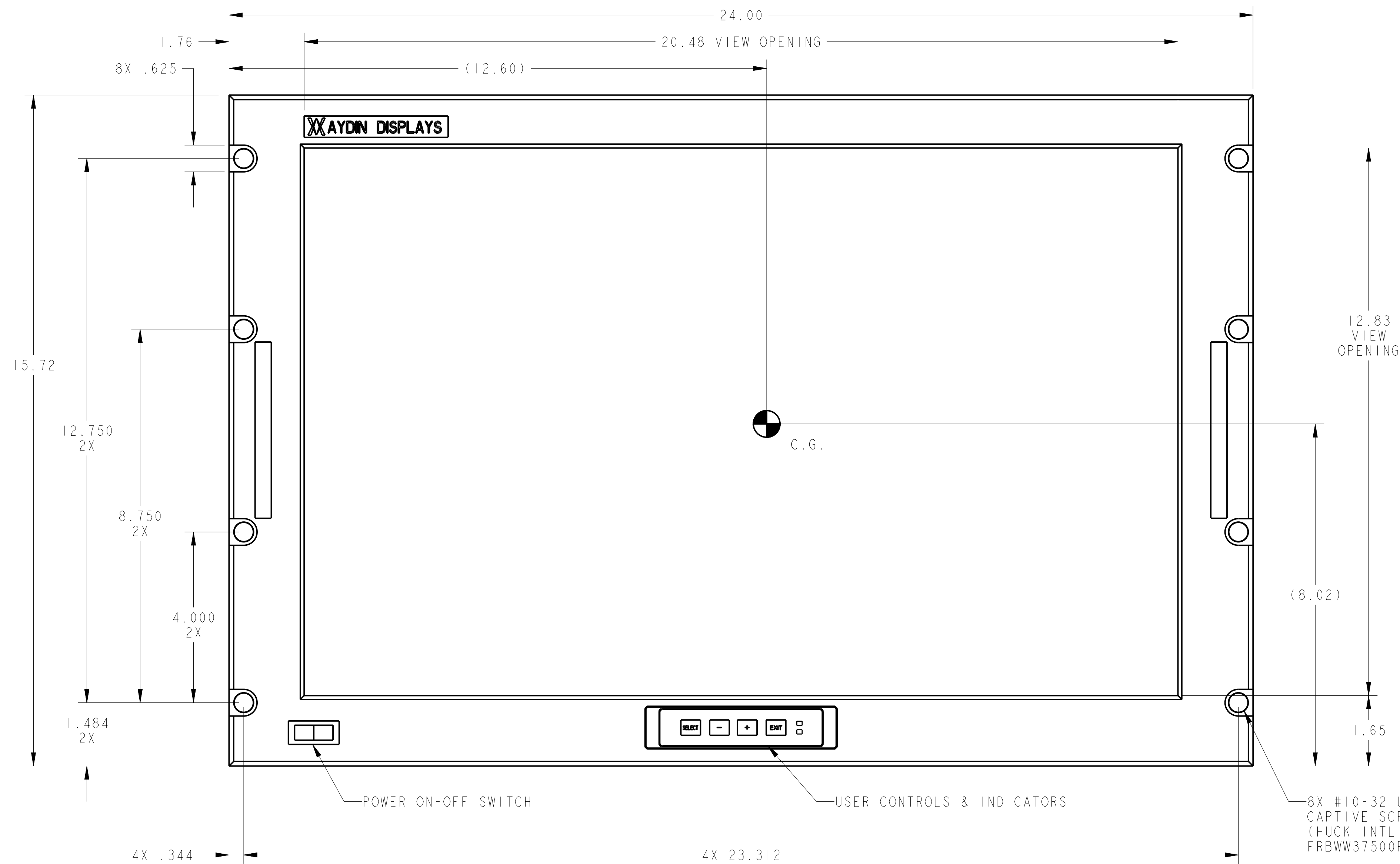
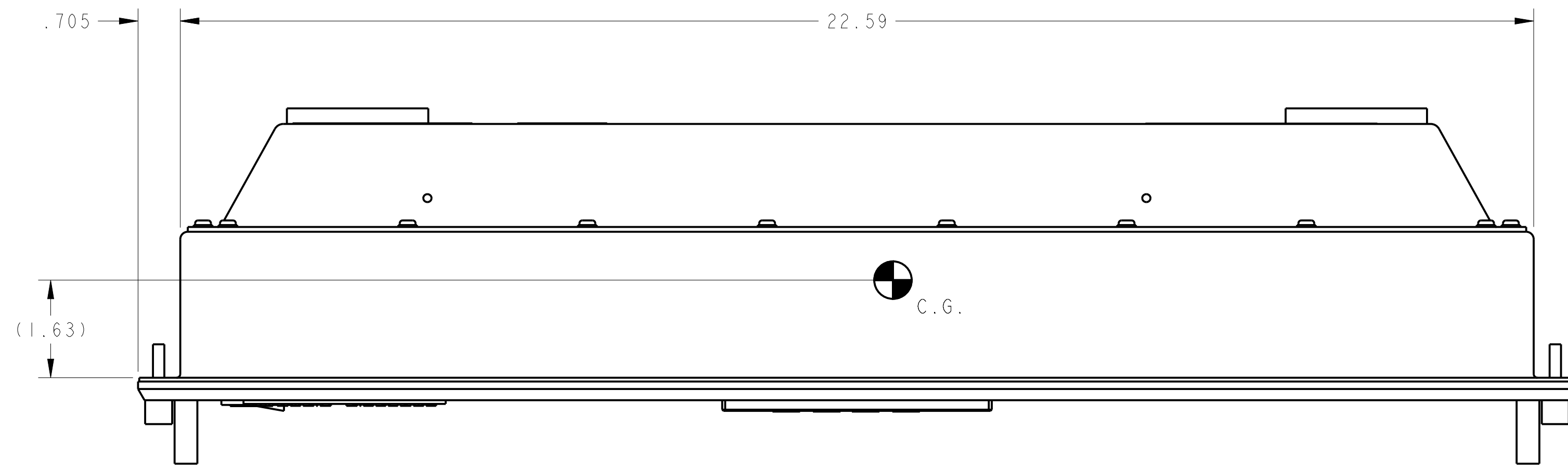


NOTICE TO PERSONS RECEIVING THIS DOCUMENT: THIS DOCUMENT IS THE EXCLUSIVE PROPERTY OF AYDIN DISPLAYS, INC. IT CONTAINS PROPRIETARY AND CONFIDENTIAL INFORMATION OF THE COMPANY, AND IS DELIVERED ON THE EXPRESS CONDITION THAT IT IS NOT TO BE DISCLOSED OR REPRODUCED IN WHOLE OR IN PART, NOR USED FOR MANUFACTURE BY ANYONE OTHER THAN AYDIN DISPLAYS, INC.; AND THAT NO RIGHT IS GRANTED TO DISCLOSE OR SO USE ANY INFORMATION CONTAINED IN THIS DOCUMENT

ZONE	LTR	REVISION		APPROVED
		DESCRIPTION	DATE	
0		INITIAL	4/30/09	EP
1		GENERAL DWG CLEANUP	FLW 5/5/09	EP
2		REDISIGN FOR PARALLEL CONN	FLW 10/12/09	EP
3		REPLACED POWER SWITCH; ADDED CAPTIVE SCREWS; CG: 12.60 WAS 12.58, 8.02 WAS 7.97, 1.63 WAS 1.61	FLW 12/21/09	EP
4		ENG CLEAN UP	FLW 01/27/10	EP
5		SHT 1: NOTE 2: 23.5 WAS 26.0 (EST); SHT 1 & 2: ADDED ITAR STATEMENT	FLW 03/25/10	EP
6		SHT 1 & 2: REMOVED ITAR STATEMENT	FLW 04/27/10	EP
7		NOTE 2: 24.2 LBS WAS 23.5 LBS	FLW 06/21/10	EP
8		NOTE 2: 25.0 LBS WAS 24.2 LBS	FLW 06/28/13	EP



- NOTES:
- TOLERANCES: .XX = ±0.04 UNLESS OTHERWISE SPECIFIED.
.XXX = ±0.020
 - WEIGHT: 25.0 LBS.
 - CLEARANCE IN REAR OF UNIT TO BE APPROX 4 INCHES FOR ADEQUATE COOLING.
 - REFER TO FUNCTIONAL SPECIFICATION, NO. 286-7100, FOR MORE INFORMATION.

5 MOUNTING SURFACE OF CONSOLE MUST BE FLAT ±.030.

FRONT VIEW

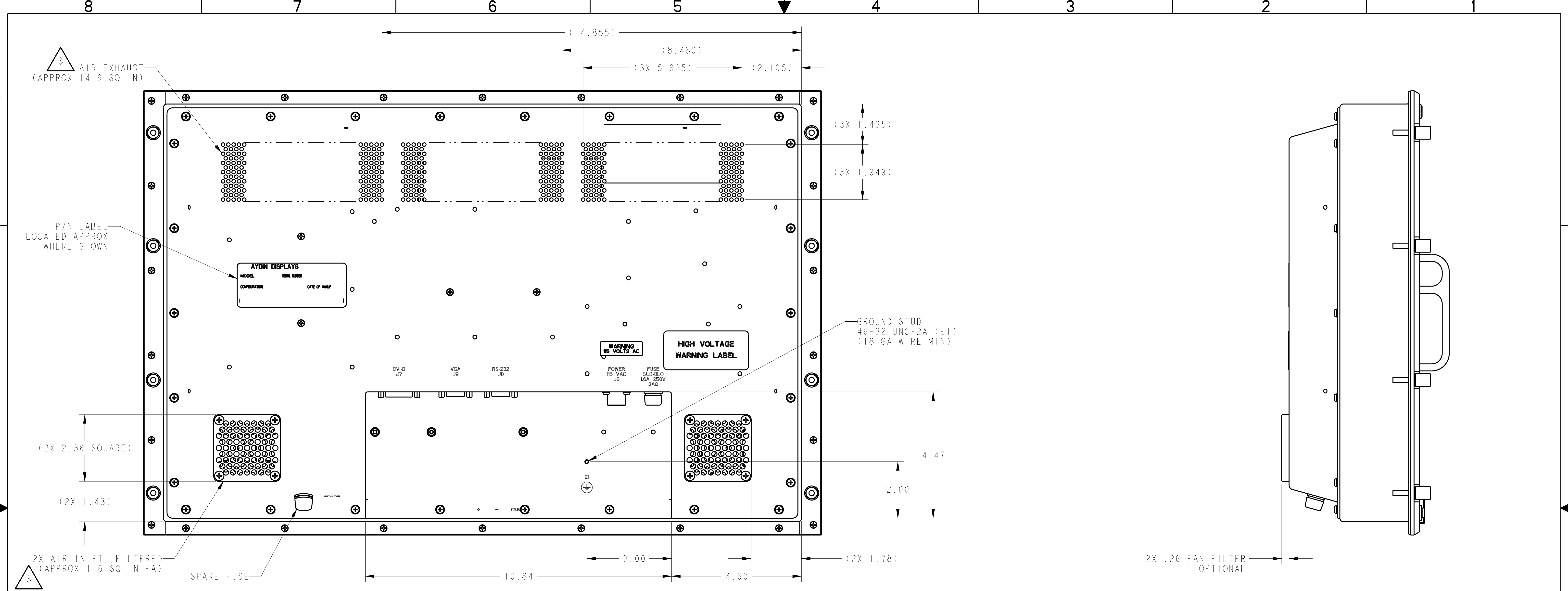
CAD DATA MANAGEMENT	
353-7216	ASM
353-7216	DRW
353-7216_REV_8	PDF

APPLICATION	
NEXT ASSY	USED ON
	353-7216

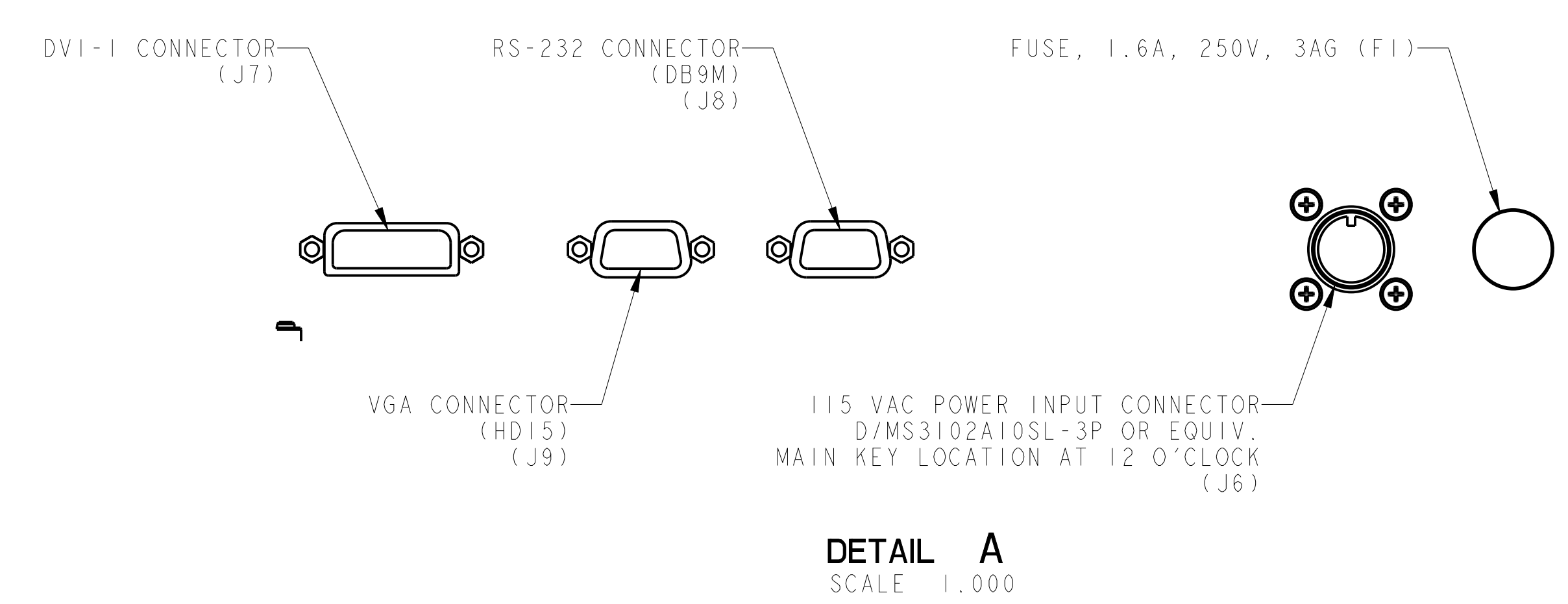
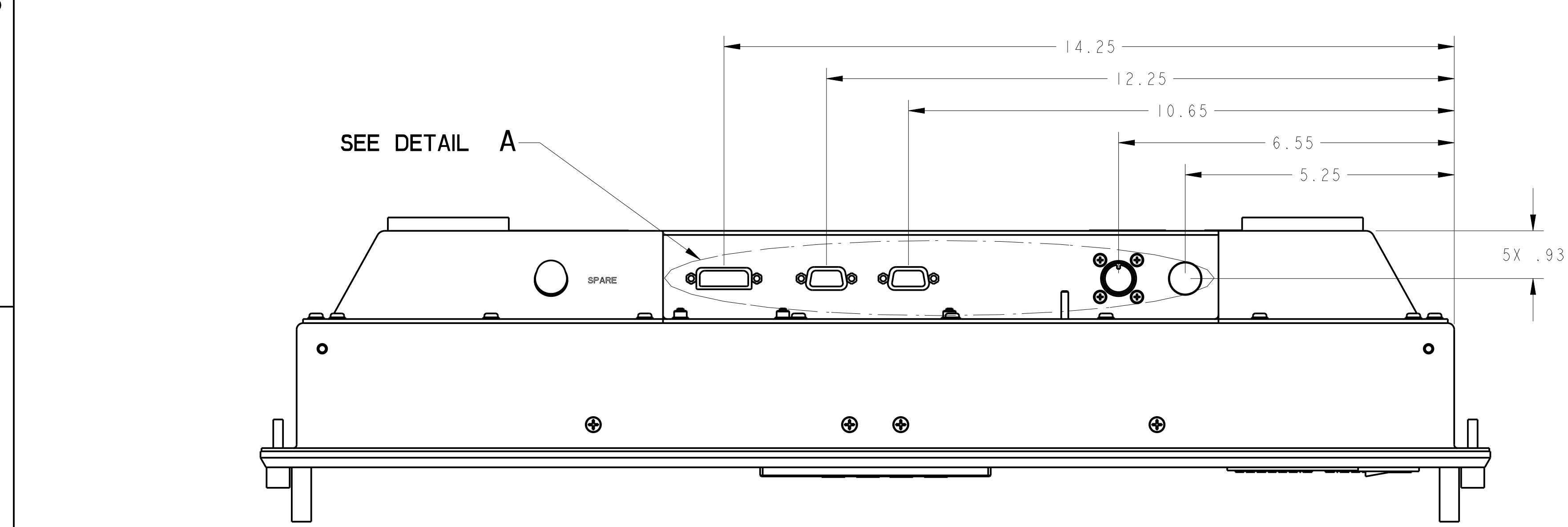
DRAWN F. WADLINGER 03-MAR-09	CHECKED E. PELLICCIOTTI 01/27/10	AYDIN DISPLAYS INC	
DRAFTING N/A	ENGINEER E. PELLICCIOTTI 01/27/10	TITLE: OUTLINE DRAWING, P/N 356-7040-501 (MODEL 4424S)	
APPROVED MFG N/A	APPROVED QA N/A	SIZE D	REV 8
MODEL FILENAME 353-7216	CAGE NUMBER INSE4	DRAWING NUMBER 353-7216	SHT 1 OF 2 SHTS

SCALE: 0.600

PRO-E GENERATED



REAR VIEW



NOTICE TO PERSONS RECEIVING THIS DOCUMENT: THIS DOCUMENT IS THE EXCLUSIVE PROPERTY OF AYDIN DISPLAYS, INC. IT CONTAINS PROPRIETARY AND CONFIDENTIAL INFORMATION OF THE COMPANY, AND IS DELIVERED ON THE EXPRESS CONDITION THAT IT IS NOT TO BE DISCLOSED OR REPRODUCED IN WHOLE OR IN PART, NOR USED FOR MANUFACTURE BY ANYONE OTHER THAN AYDIN DISPLAYS, INC.; AND THAT NO RIGHT IS GRANTED TO DISCLOSE OR SO USE ANY INFORMATION CONTAINED IN THIS DOCUMENT			
TITLE: OUTLINE DRAWING, P/N 356-7040-501			
SIZE D	CAGE NUMBER INSE4	353-7216	REV 8
SCALE: 0.600 AND AS NOTED		SHT 2 OF 2 SHTS	
DRAWN: F WADLINGER		MODEL FILENAME: 353-7216	