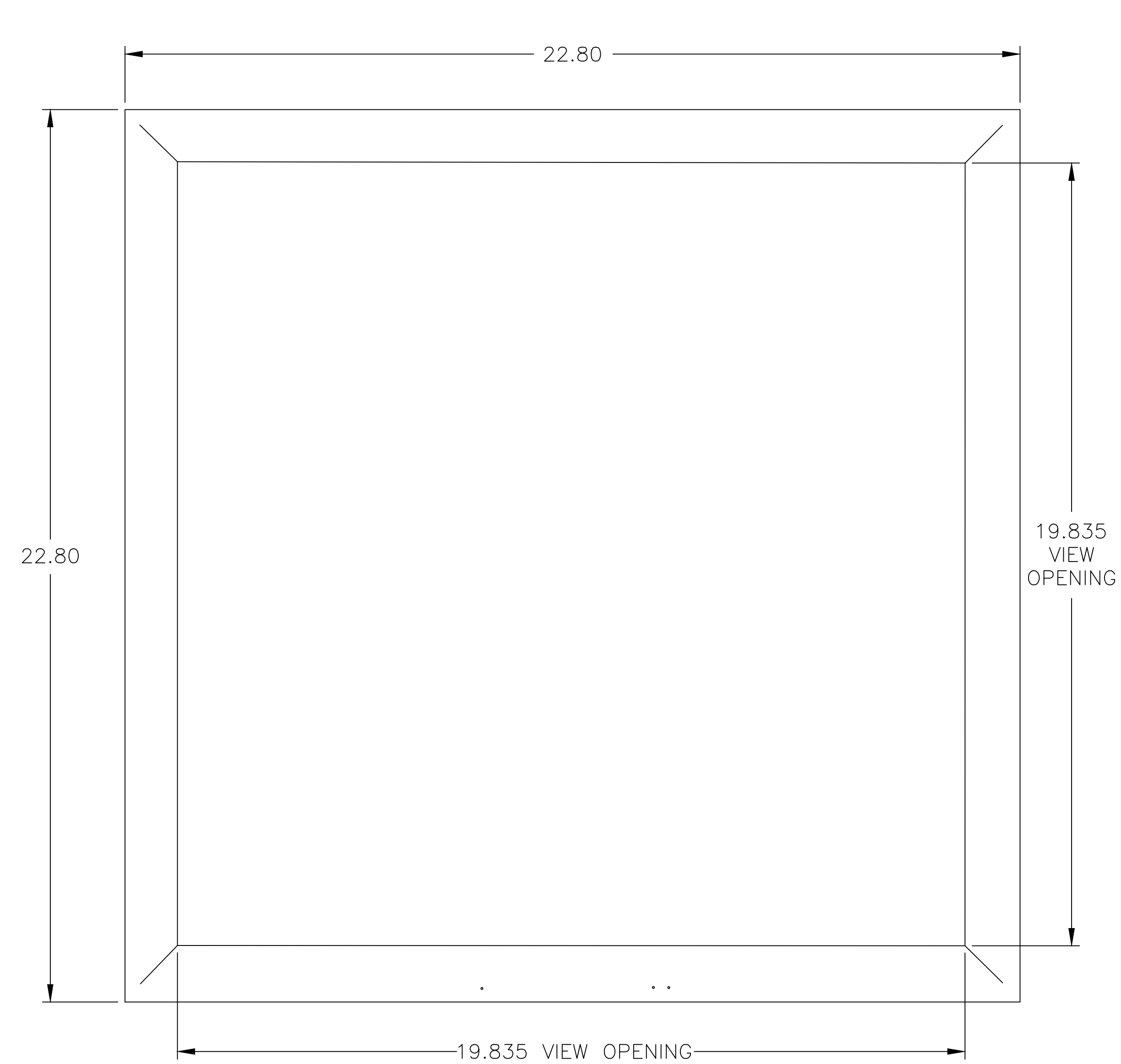
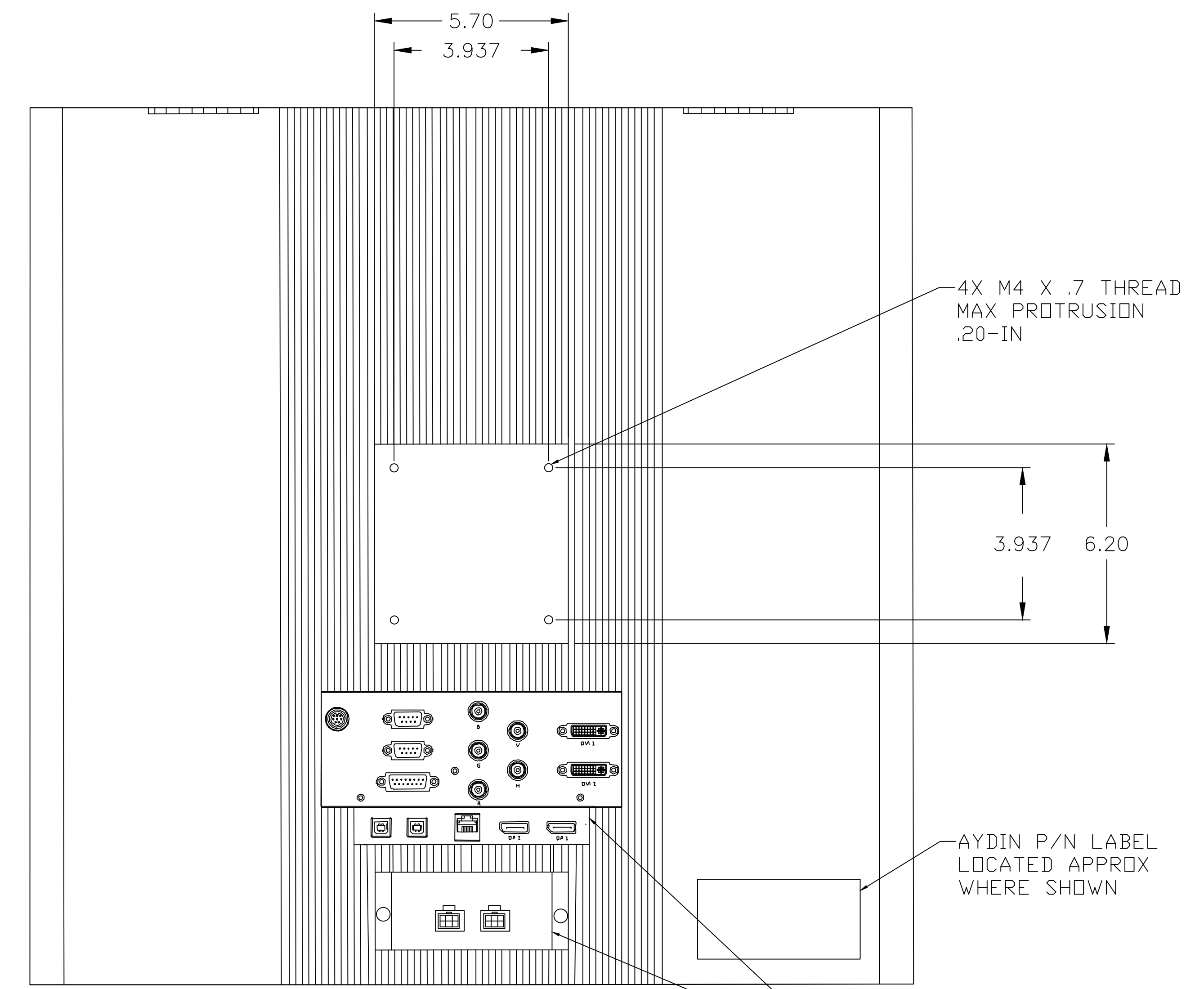
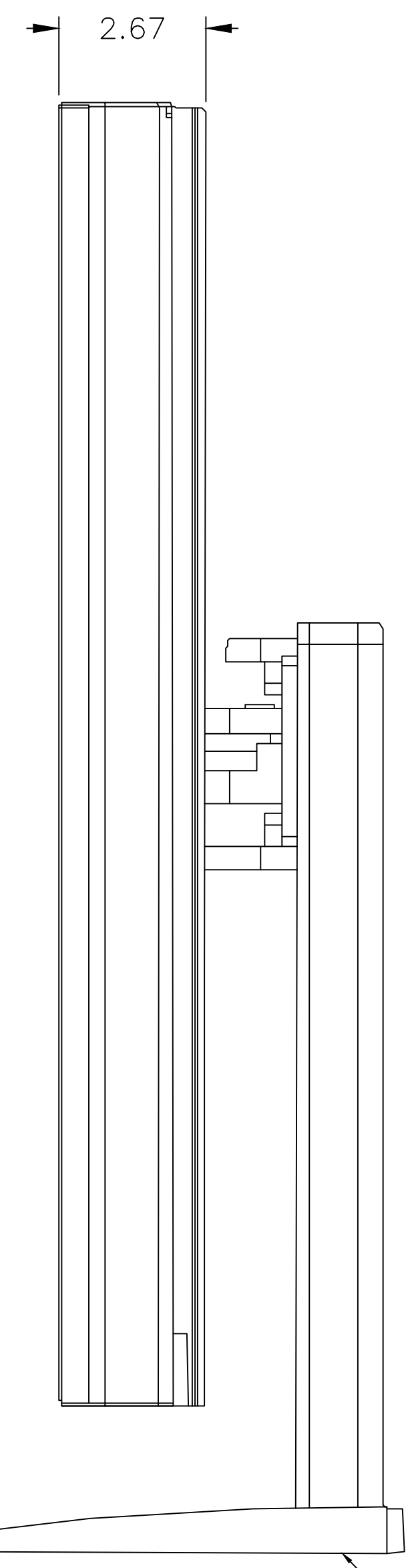


THIS DOCUMENT IS THE EXCLUSIVE PROPERTY OF SPARTON AYDIN, LLC D/B/A AYDIN DISPLAYS, CONTAINS PROPRIETARY AND CONFIDENTIAL INFORMATION OF THE COMPANY, AND IS DELIVERED ON THE EXPRESS CONDITION THAT IT IS NOT TO BE DISCLOSED OR REPRODUCED IN WHOLE OR IN PART, NOR USED FOR MANUFACTURE BY ANYONE OTHER THAN SPARTON AYDIN, LLC D/B/A AYDIN DISPLAYS; AND THAT NO RIGHT IS GRANTED TO DISCLOSE OR SO USE ANY INFORMATION CONTAINED IN THIS DOCUMENT.

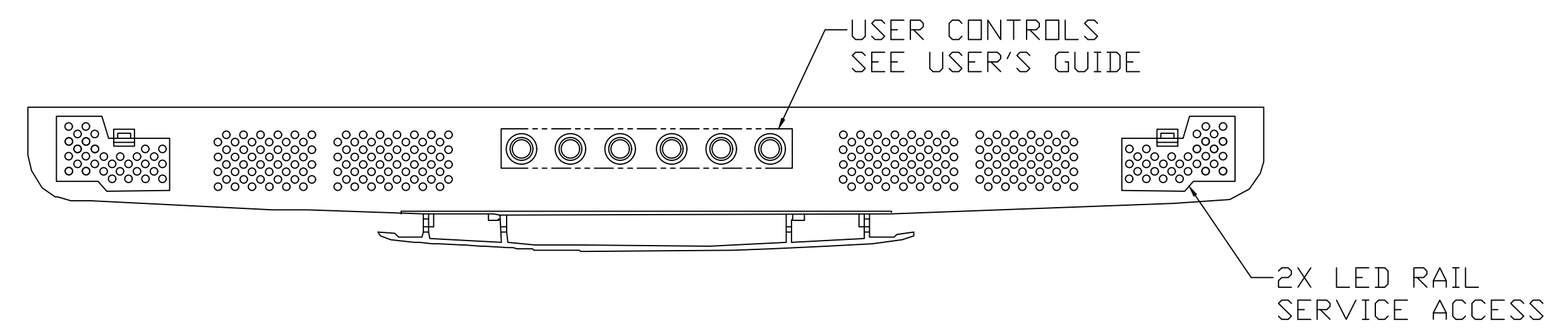
REVISIONS			
LVL	DESCRIPTION	DATE	APPROVED
0	INITIAL	2/2/16	EP
	ZB7 & C5: 19.835 WAS 19.90, NOTE 2: 28.0 LBS (1ST ART.) WAS 42.0 LBS (EST.), 'STAND AND POWER SUPPLY (2.2 LBS) NOT...' WAS 'STAND NOT...'; ZA4: ADDED WEIGHT 7.4 LBS FLW 2/17/16	-	EP



FRONT VIEW



REAR VIEW



SHOWN WITH OPTIONAL STAND  
WEIGHT 7.4 LBS  
SEE USER'S GUIDE FOR DIMENSIONS

NOTES:

1. DIMENSIONS SHOWN ARE NOMINAL AND FOR REF ONLY UNLESS OTHERWISE SPECIFIED.
2. WEIGHT: 28.0 LBS (1ST ART.) AS SHOWN. STAND AND POWER SUPPLY (2.2 LBS) NOT INCLUDED.
3. REMOTE USER CONTROLS & STAND SUPPLIED SEPARATELY AS OPTIONS.

DRAWN F WADLINGER 1/12/11	<b>AYDIN DISPLAYS</b> a sparton company		OUTLINE DRAWING MODEL 60281 (P/N 356-7109-501)	REV 0
CHECKED N/A				
DRAFTING N/A	SIZE D		CAGE NO. 70MF8	353-7391
ENGINEER E. PELLICCIOTTI	SCALE NONE		SHEET 1 OF 1	
APPROVED MFG N/A	APPROVED QA	FILENAME 353-7391-1_0		
UNLESS OTHERWISE SPECIFIED DIMENSIONS ARE IN INCHES.		NEXT ASSY	USED ON	APPLICATION